

R&S®CMW100 Communications Manufacturing Test Set

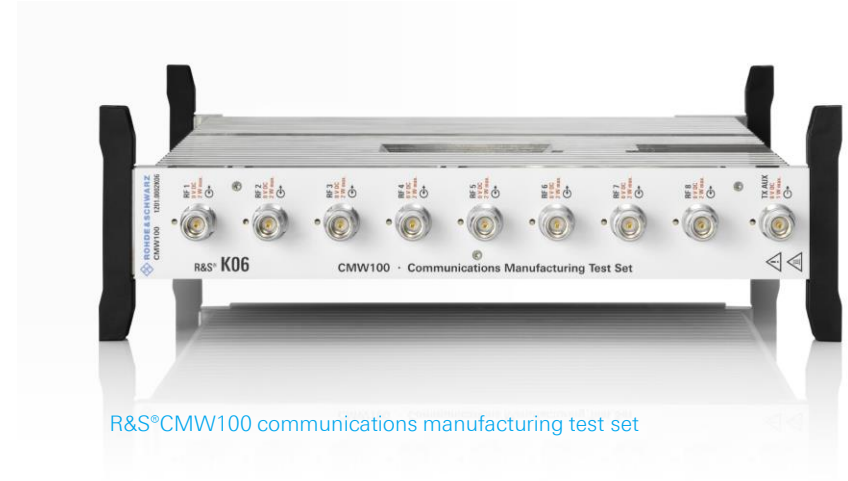
Universal non-signaling test set incl. 5G NR at sub 6 GHz

Test challenge

The R&S®CMW100 communications manufacturing test set is a new trendsetting product for calibrating and verifying various kinds of communications devices.

Test solution

- Frontend with 8 bidirectional and full duplex ports (multi-DUT handling made simple)
- Continuous frequency range from 70 MHz to 6 GHz
- High accuracy
 - Generator ± 0.6 dB.
 - Analyzer ± 0.5 dB.
- Dust protection – passive cooling, no ventilator so no dust build-up
- Smart channel – high efficiency through parallel testing

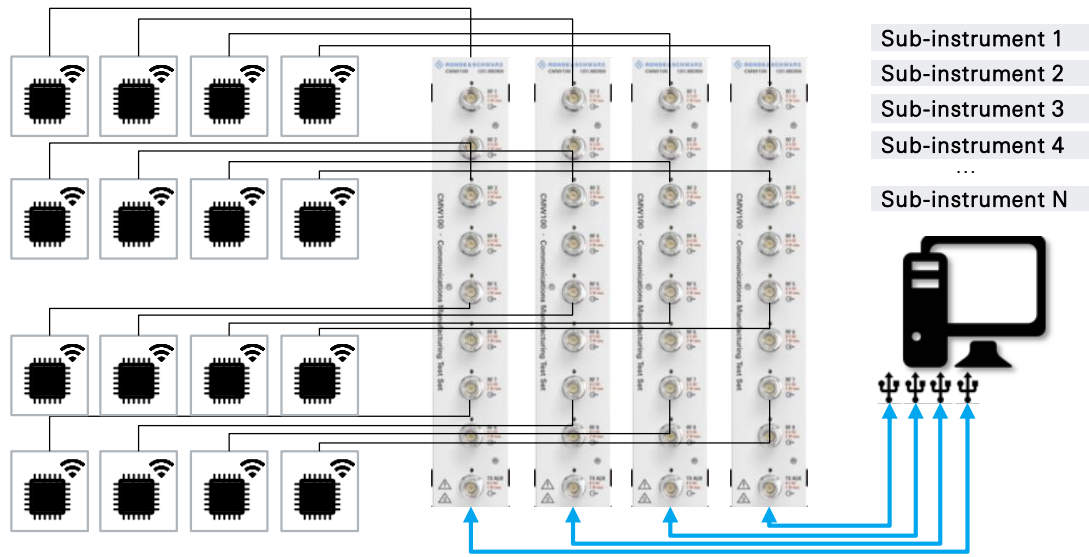


R&S®CMW100 communications manufacturing test set

Your benefit	Features
Receiver and transmitter testing	<ul style="list-style-type: none"> ■ Continuous frequency range up to 6 GHz, multitechnology solution ■ Parallel testing on up to eight RF ports ■ High measurement performance
Features	<ul style="list-style-type: none"> ■ RF generator signal is split and forwarded to 8 output ports ■ Every output can be switched off separately ■ Collective output level setting for connectors RF 1 to RF 8 ■ Frequency-dependent attenuation (FDA) for each connector ■ Smart channel – multi-DUT handling made simple ■ Dust protection

► For more information, visit www.rohde-schwarz.com/product/cmw100

Smart channel – scalability and flexibility



R&S®CMW100: multiplex function for multi-DUT handling, frontend with 8 bidirectional and full duplex ports

Technologies	Features
Cellular technologies	5G NR at sub 6 GHz LTE-A C-V2X WCDMA/HSPA+ GSM/GPRS/EGPRS CDMA2000 (1xRTT/1xEV-DO) TD-SCDMA
Non-cellular technologies	WLAN IEEE802.11 a/b/g/n/p/ac/ax Bluetooth® up to 5.1
IoT technologies	IEEE802.15.4 (Zigbee) LoRa SigFox CAT M1 NB-IoT
GNSS technologies	GPS BeiDou GLONASS Galileo
Broadcasting technologies	DVB-T T-DMB CMMB

Compact, innovative testing



Smart channel

Multitechnology

Silent

Dust protection

R&S®CMW100: passive cooling, no ventilator – silent and no dust inside

Solutions



IoT



Telematics



Smart factory



Smart home



Healthcare



Smart city

Rohde & Schwarz GmbH & Co. KG | Europe, Africa, Middle East +49 89 4129 12345 | North America 1 888 TEST RSA (1 888 837 87 72)

Latin America +1 410 910 79 88 | Asia Pacific +65 65 13 04 88 | China +86 800 810 82 28 / +86 400 650 58 96

www.rohde-schwarz.com | customersupport@rohde-schwarz.com

R&S® is a registered trademark of Rohde & Schwarz GmbH & Co. KG | PD 3609.0872.32 | Version 01.00 | February 2019 (ka)

Trade names are trademarks of the owners | R&S®CMW100 Communications Manufacturing Test Set | Data without tolerance limits is not binding

Subject to change | © 2019 Rohde & Schwarz GmbH & Co. KG | 81671 Munich, Germany